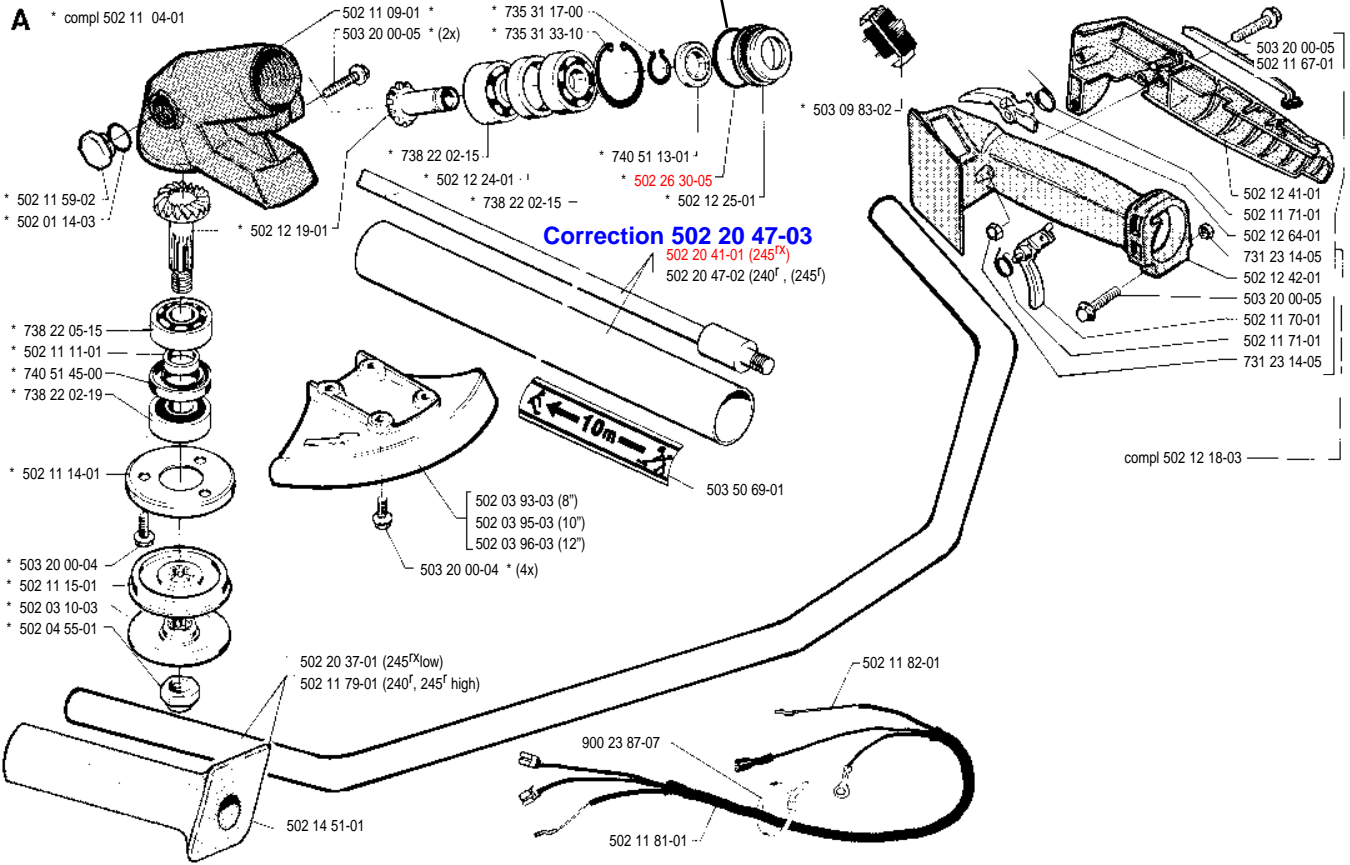
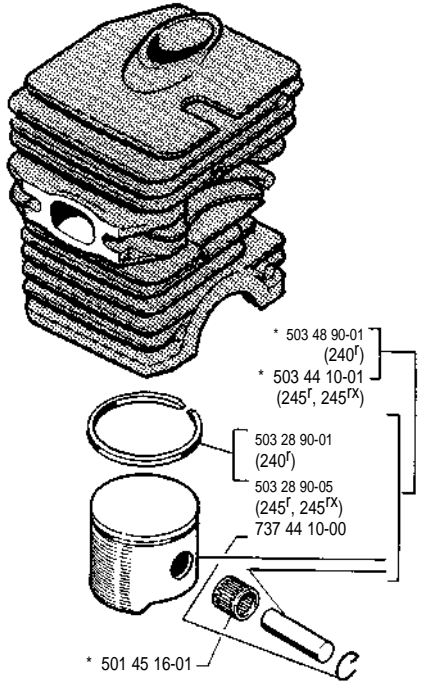


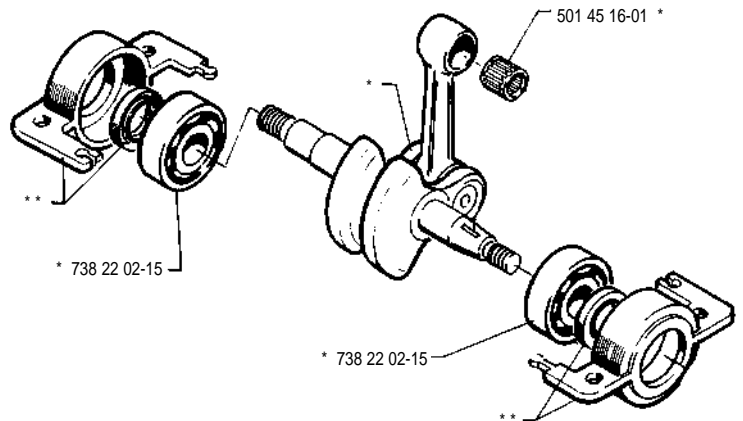
Correction:
740 44 08-00



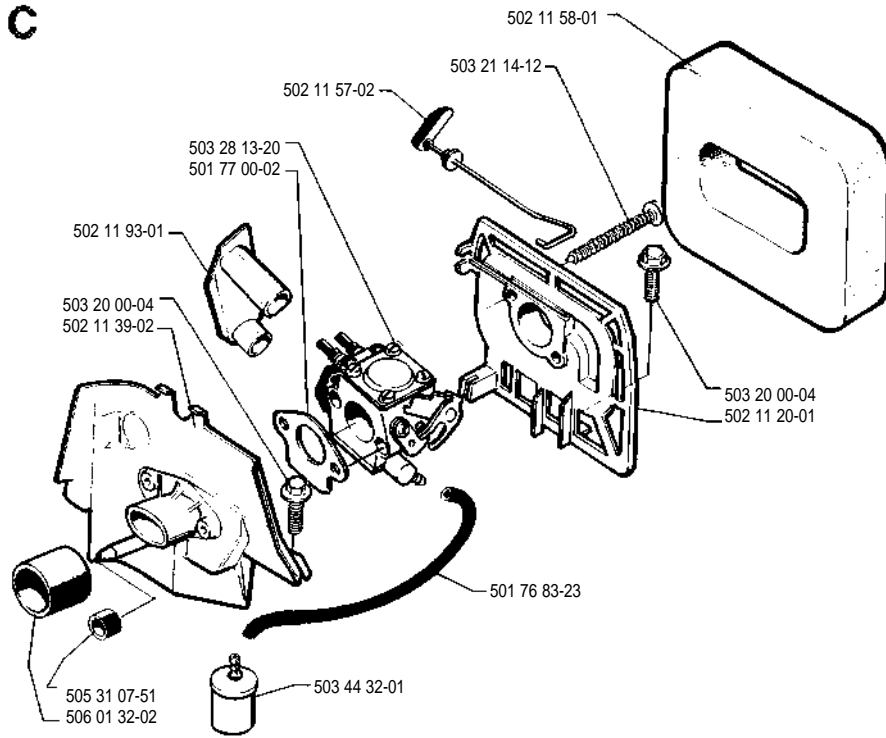
B * compl 506 01 06-07 (240^f)
* compl 503 44 08-02 (245^f, 245^{fX})



F * compl 503 57 38-02
** compl 502 12 21-01

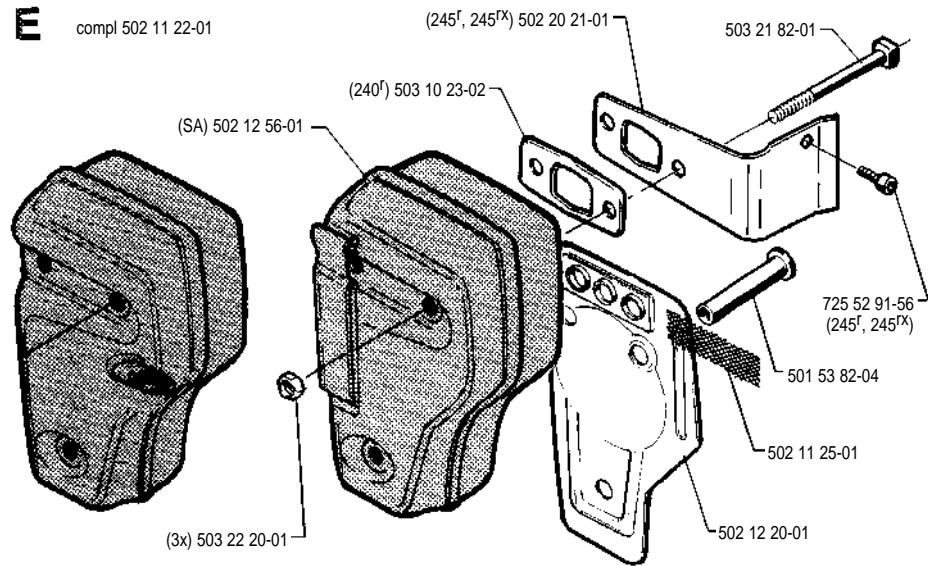


C

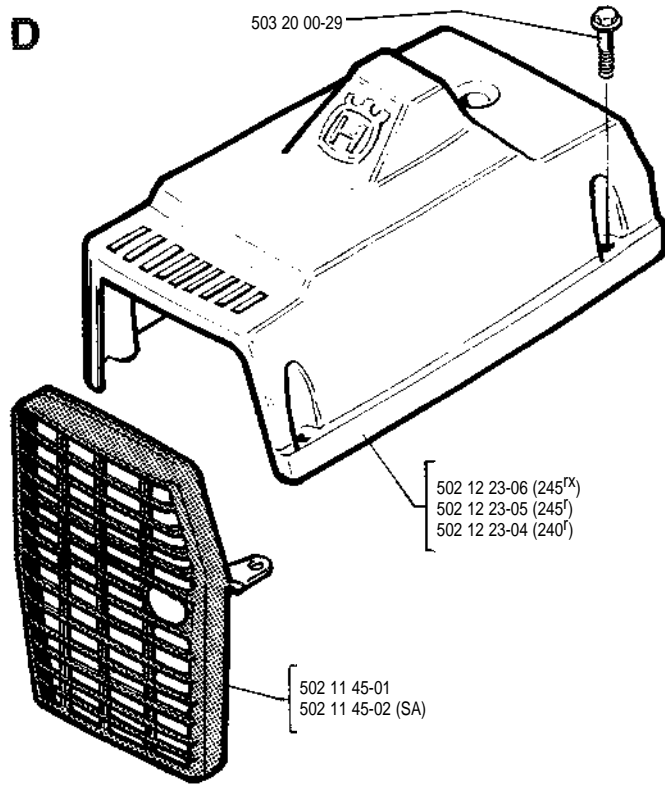


E

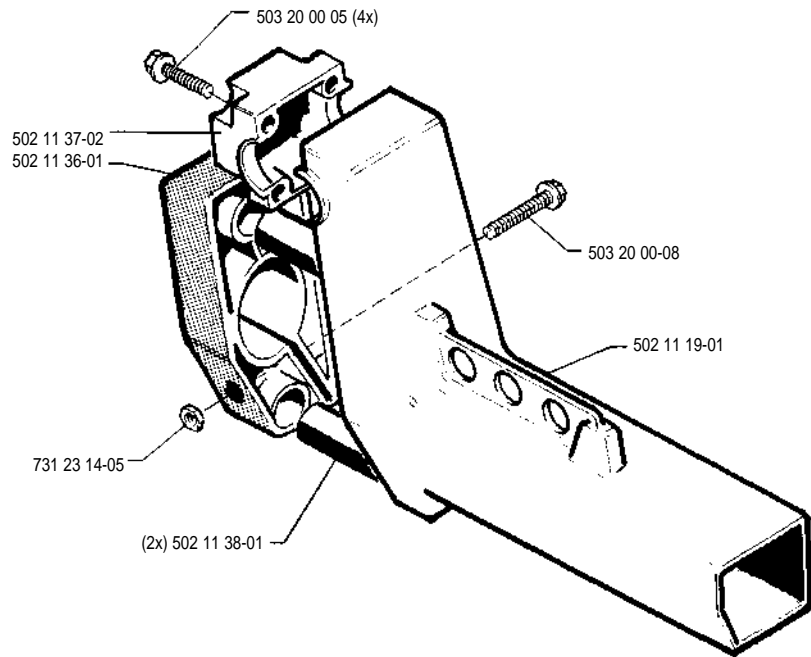
compl 502 11 22-01



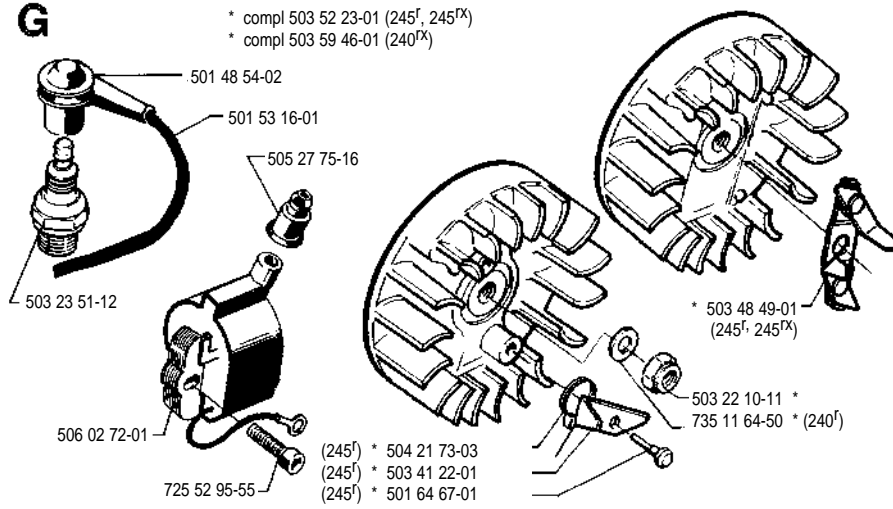
D



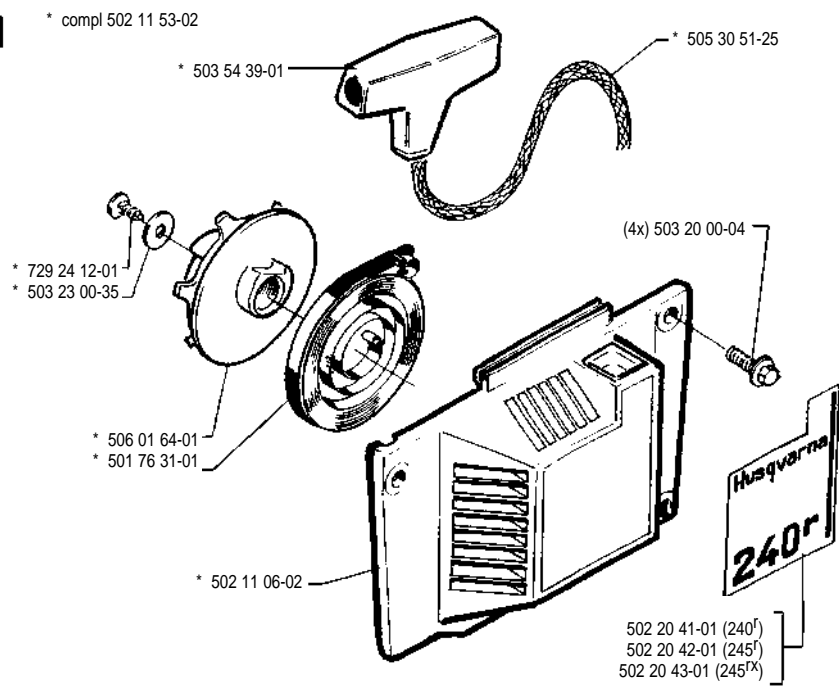
H



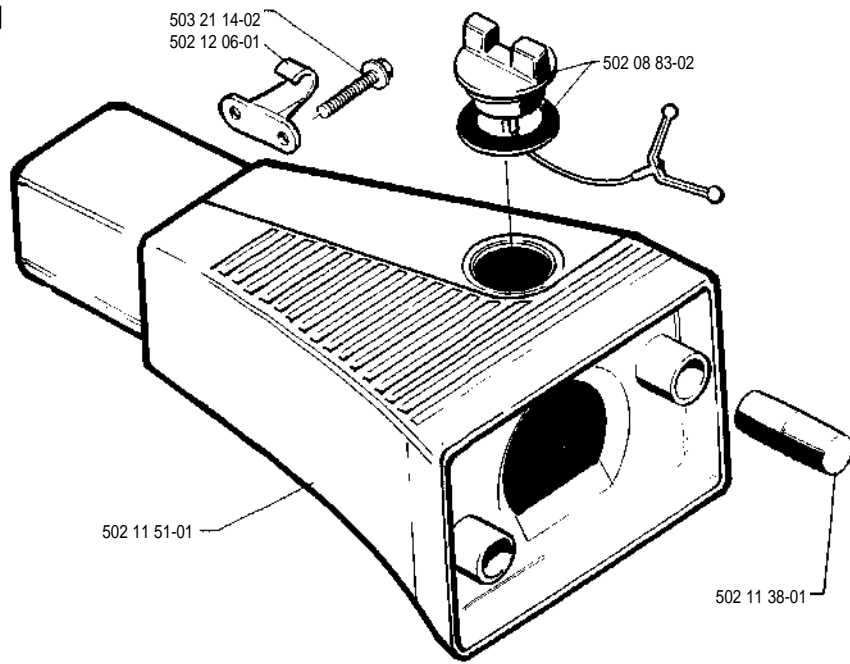
G



M

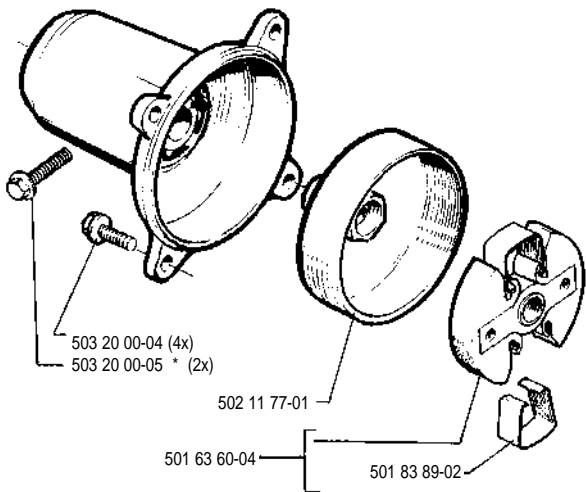


J

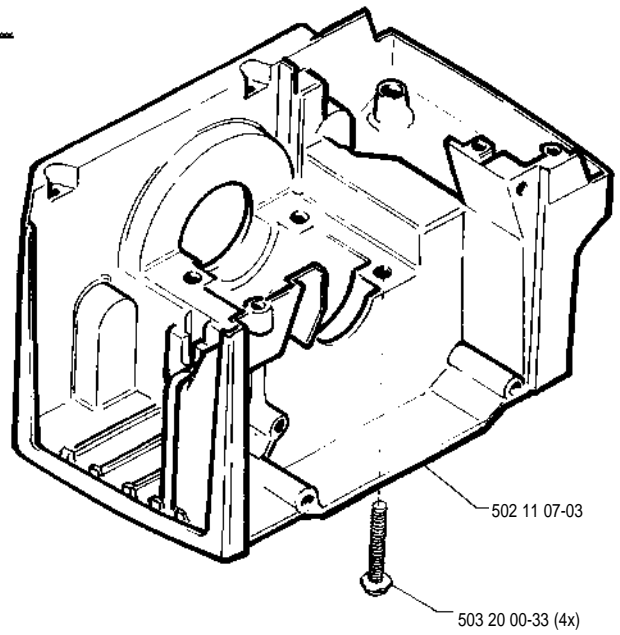


K

* compl 502 11 52-01



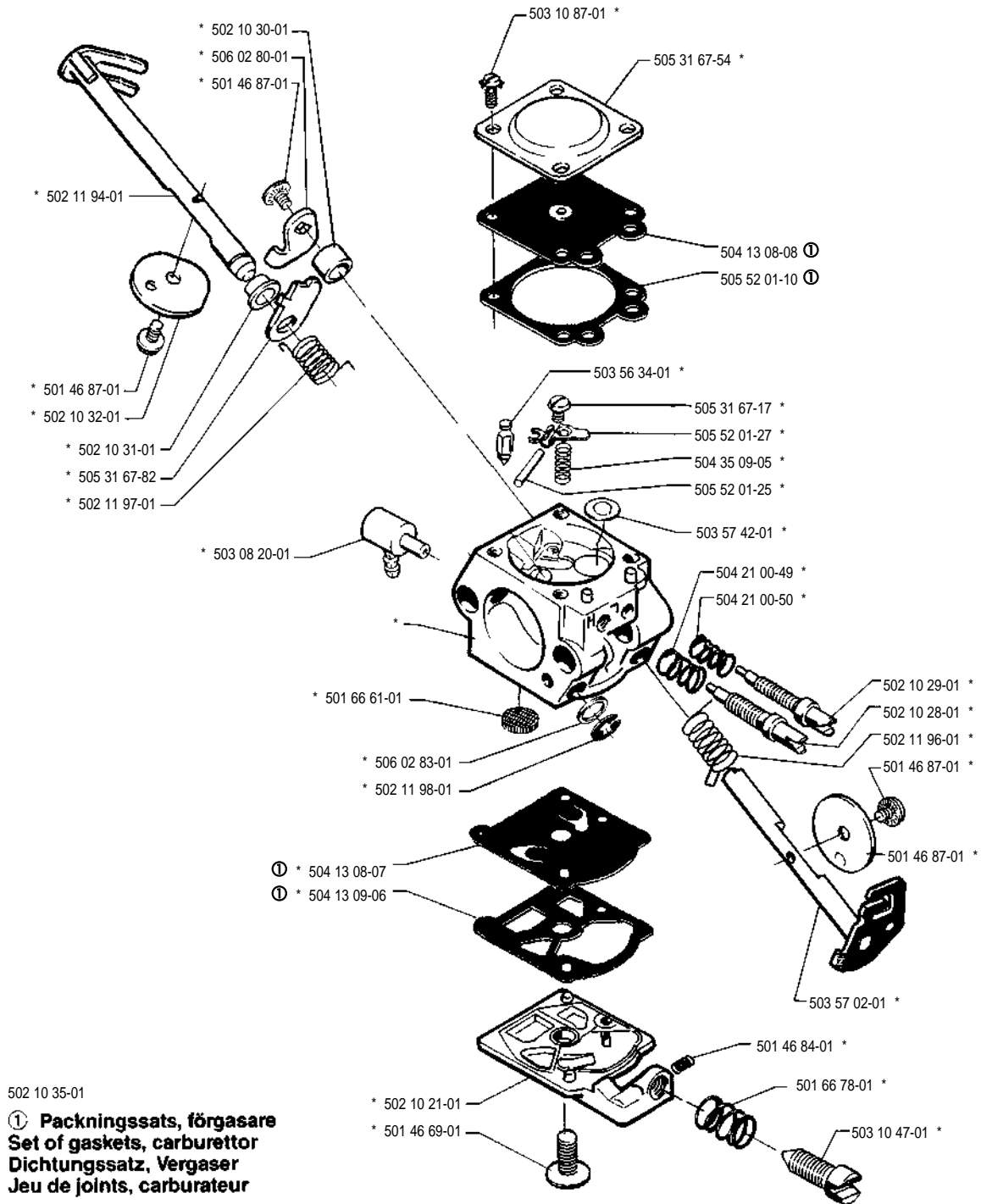
L



N

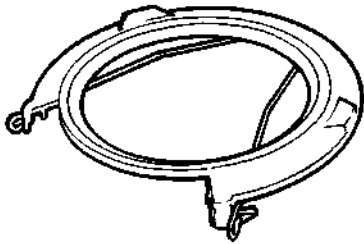
* compl 503 28 13-20

Walbro WT 99

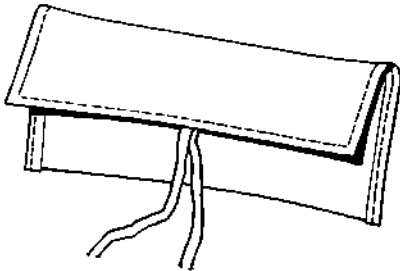


O

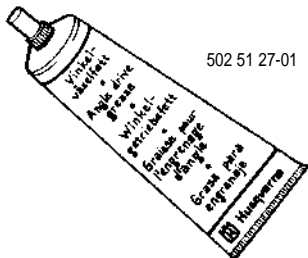
**Accessories
Zubehöre
Accessoires
Accesorios
Tillbehör**



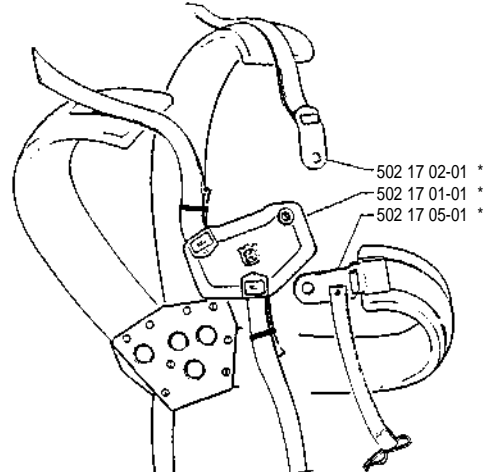
502 03 55-03 8"-10"
502 03 64-01 12"



502 11 03-01



* compl 502 17 00-01

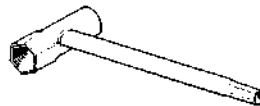


502 17 02-01 *
502 17 01-01 *
502 17 05-01 *

** 502 02 38-01

502 02 30-02 **
735 31 09-20 **
502 02 29-02 **
502 02 27-01 *

** compl 502 02 28-01



502 11 46-01